



# Iron-A-Way®

## IRONING CENTER INSTALLATION MANUAL

### SUPPLIED PARTS

#### SWIVEL MODELS

AE-46 ANE-46 AE-42 ANE-42 UD-42

#### RECESSED INSTALLATION

#10 x 1 1/2" Wood Screws (2)

#14 x 2 1/2" Phillips Screws (2)

#### SURFACE MOUNT INSTALLATION

#14 x 4" Wood Screws (2)

#### NON-SWIVEL MODELS

E-46 NE-46 E-42 NE-42 IAW-42 SM-42

#### RECESSED INSTALLATION

#10 x 1 1/2" Wood Screws (4)

#### SURFACE MOUNT INSTALLATION

#14 x 4" Wood Screws (2)

#### IAW-42 ONLY

#14 x 2 1/2" Wood Screws (2)

### SUPPLIES NEEDED

- ✓ Carpenter's Level
- ✓ Tape Measure
- ✓ Utility Knife
- ✓ Drill
- ✓ 1/8" Drill Bit
- ✓ 3/16" Drill Bit (Surface Mount Installation)
- ✓ Small Flat Head Screwdriver
- ✓ Safety Glasses
- ✓ 2 x 4 Cross Support Cleat (Recessed Installation)
- ✓ 2 x 4 Brace (Surface Mount Installation)

#### *Optional:*

- ✓ Stud Finder
- ✓ 1/4" Nut Driver

# PRE-INSTALLATION

Please follow these Pre-Installation steps to ensure your ironing board will work properly in the installation location you have selected.

## STEP ONE: Ironing Board Clearance

Begin by ensuring your desired installation location has adequate space for your selected model. Choose Recessed Mount or Surface Mount.

### SWIVEL MODELS | FIG 1.1

		AE-46 ANE-46	AE-42 ANE-42	UD-42
<b>1</b> Distance from wall to tip of ironing board	Recessed Mount	51"	47"	47"
	Surface Mount	55"	51"	51"
<b>2</b> Clearance on both sides of cabinet for board to swivel		16 7/8"	15"	15"

### NON-SWIVEL MODELS | FIG 1.2

		E-46 NE-46	E-42 NE-42	SM-42 IAW-42
Distance from wall to tip of ironing board	Recessed Mount	46"	42"	
	Surface Mount	51"	46"	43 1/4"

## STEP TWO: Standing Room & Door Clearances

It is recommended to have **16" on hinge side** for the door to open flush against the wall and move out of the way of the board. This is **a requirement for swivel models** so that the board has clearance to turn. For comfortable standing room to iron, we **recommend 24" clearance on the desired ironing side.**

## STEP THREE: Determine Mounting Height

Identify your desired ironing board height (typical ironing board is 35" to 36" high). Then subtract the number below based on the length of your model's ironing board to determine mounting height (FIG 1.3). For adjustable swivel models, take into consideration the adjusted position of your ironing board, which is 4" higher than the normal, default position.

**46" Boards: 13"**  
*EX: Desired Height 35" - 13" = 22"*  
 Mounting Height

**42" Boards: 8"**  
*EX: Desired Height 35" - 8" = 27"*  
 Mounting Height

**UD-42: 17"**  
*EX: Desired Height 30" - 17" = 13"*  
 Mounting Height

**IAW-42: 8"**  
*EX: Desired Height 35" - 8" = 27"*  
 Mounting Height

## STEP FOUR: Prepare Installation Location

After identifying your installation location, use a stud finder to locate necessary studs. Locate existing wiring or utilities to prevent drilling into or severing wires.

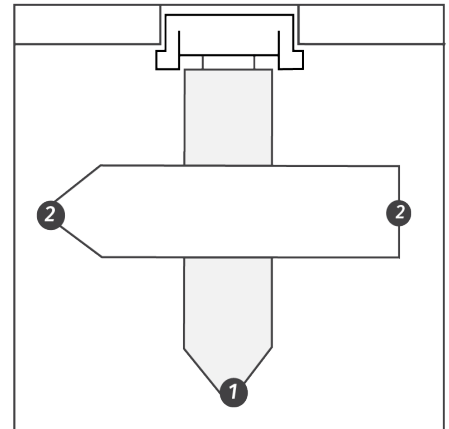


FIG. 1.1

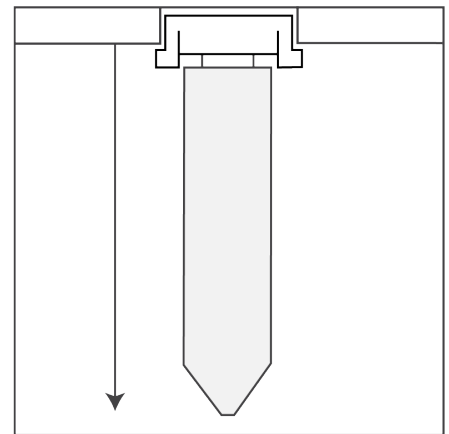


FIG. 1.2

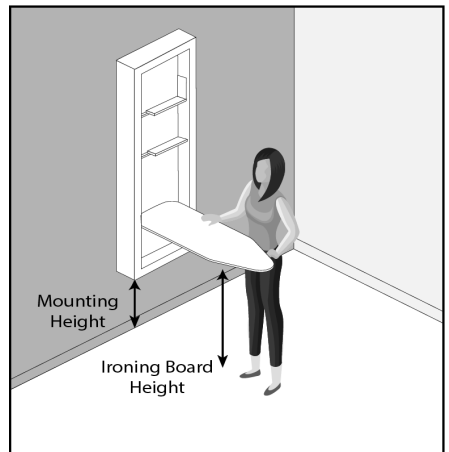


FIG. 1.3

# NON-SWIVEL SURFACE MOUNT INSTALLATION

Models | E46, NE-46, E-42, NE-42, IAW-42 , SM-42

**\*\*\* PLEASE NOTE: Under no circumstances should the ironing board and/or the support mechanism be removed from the cabinet during installation.**

## STEP ONE: Locate Stud & Pre-Drill Holes

Locate and mark stud on wall. Cut two 2 x 4 braces (not provided) to the desired mounting height (determined in Step Three of Pre-Installation) to use for bracing the unit during installation.

Using a 3/16" drill bit, pre-drill hole into center of the top cleat of cabinet (FIG 5.1)

With 2 x 4 braces in place for support (FIG 5.2), place unit on wall, centering with desired stud.

Mark the location for mounting by placing the drill bit through the pre-drilled hole in cabinet. Dimple the wall by lightly pushing the drill bit into the dry wall. Set unit aside, then adjust location if not centered on stud, and pre-drill hole in wall for mounting.



**MODELS E-46 & E-42:  
PLEASE REFER TO ELECTRICAL INSTRUCTION  
ON PG. 7 BEFORE PROCEEDING.**

## STEP TWO: Install Unit on Wall

Partially insert one #14 x 4" screw (IAW-42 use #14 x 2 1/2" screw) into the pre-drilled cabinet hole. Then, using 2" x 4" braces, place unit back on the wall (FIG 5.2) and fully insert screw through cabinet cleat and into stud. Remove braces. Plum and level unit.

Using 3/16" drill bit, pre-drill hole through the center of the bottom cleat of cabinet into stud. Insert remaining #14 x 4" screw (IAW-42 use #14 x 2 1/2" screw) through cleat into stud to fully anchor the unit.

## STEP THREE: Apply Trim

Apply trim [not provided] to sides of cabinet to flush the side wall with the cabinet trim (FIG 5.3) to create a sleek look (excludes IAW-42).

*Note: May use custom trim or purchase Surface Mount Trim from Iron-A-Way directly. Please call 1-800-536-9495 for more information.*

**INSTALLATION COMPLETE!**

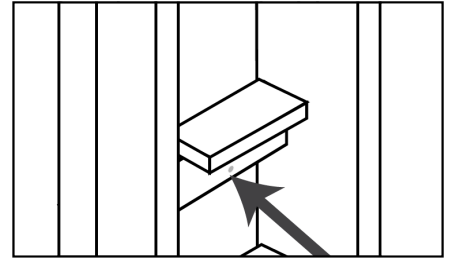


FIG. 5.1

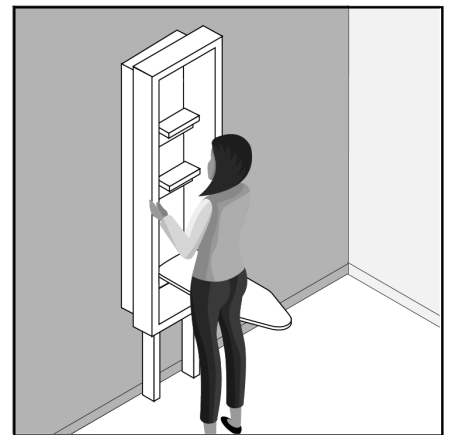


FIG. 5.2

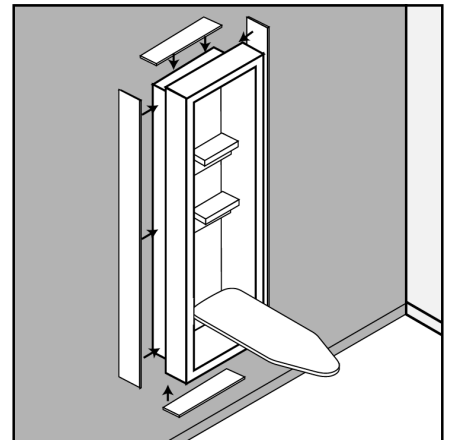


FIG. 5.3



**Iron-A-Way<sup>®</sup>**

***Still have questions?***

***We're here to help!***

1-800-536-9495

support@ironaway.com

M-F 8am-4:30pm CST